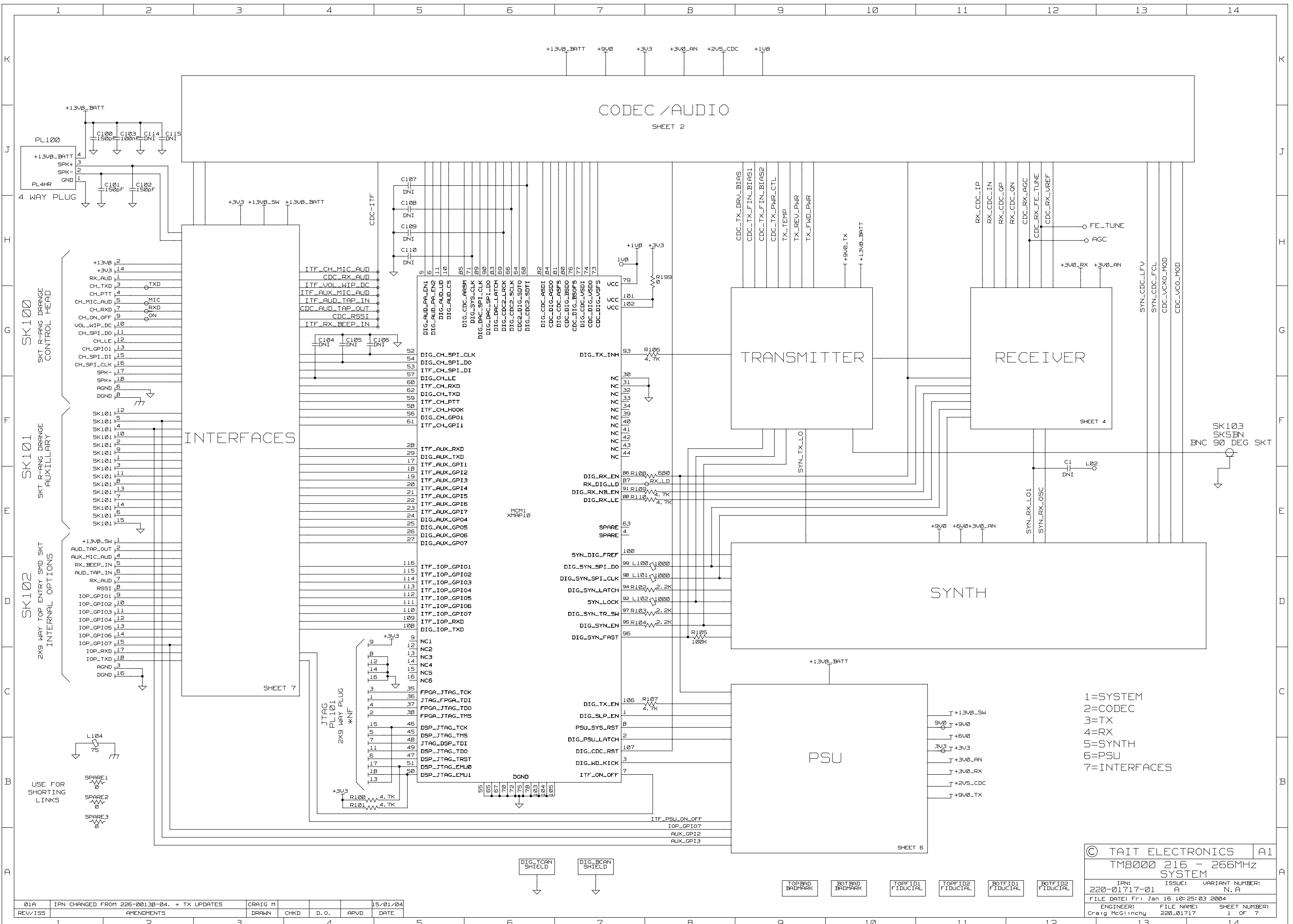


# CODEC / AUDIO

SHEET 2

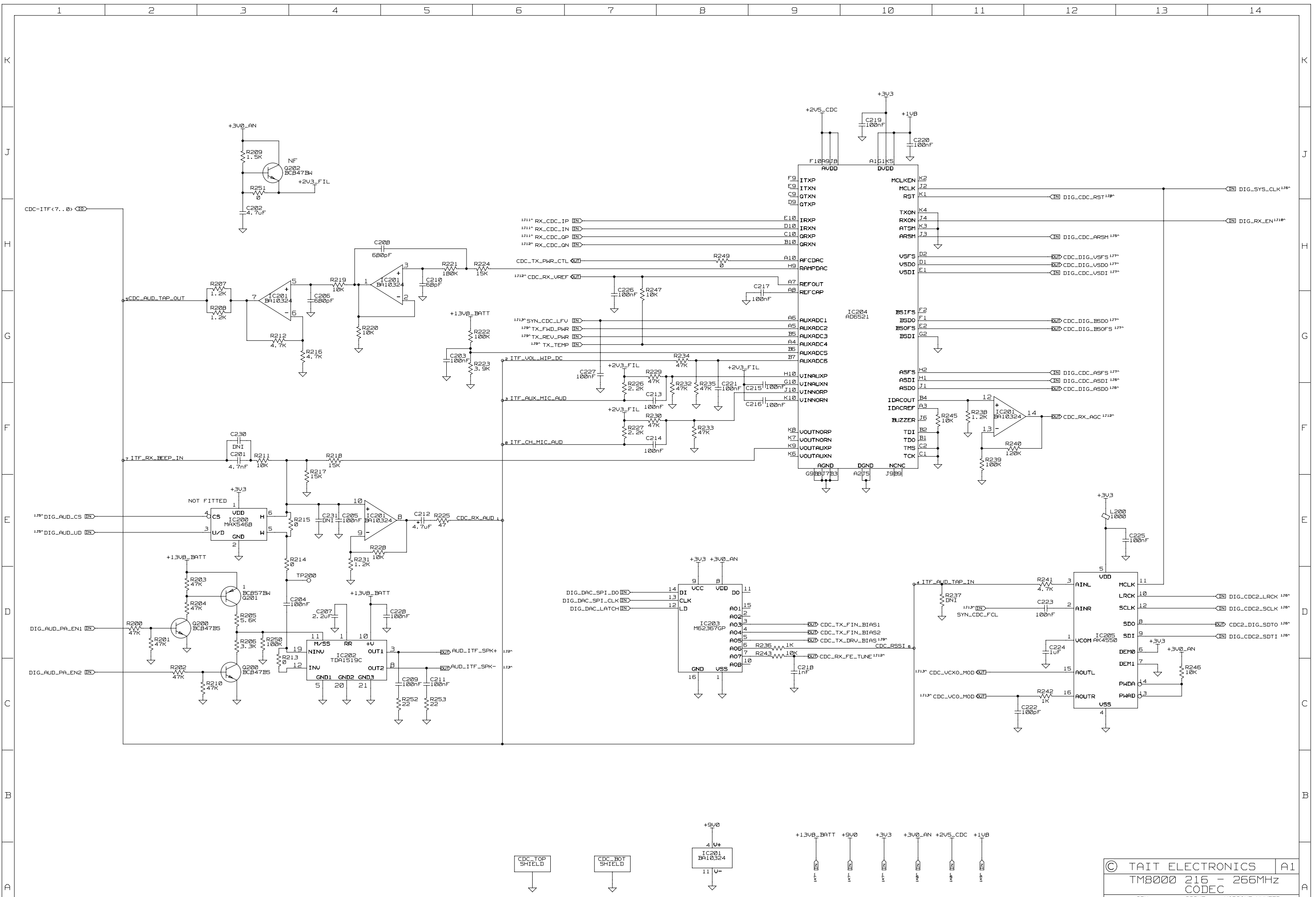


- 1=SYSTEM
- 2=CODEC
- 3=TX
- 4=RX
- 5=SYNTH
- 6=PSU
- 7=INTERFACES

© TAIT ELECTRONICS		A1
TM8000 216 - 266MHZ SYSTEM		
IPN: 220-01717-01	ISSUE: A	VARIANT NUMBER: N.A
FILE DATE: Fri Jan 15 10:25:03 2004		
ENGINEER: Craig McGlinchy	FILE NAME: 220_01717	SHEET NUMBER: 1 OF 7

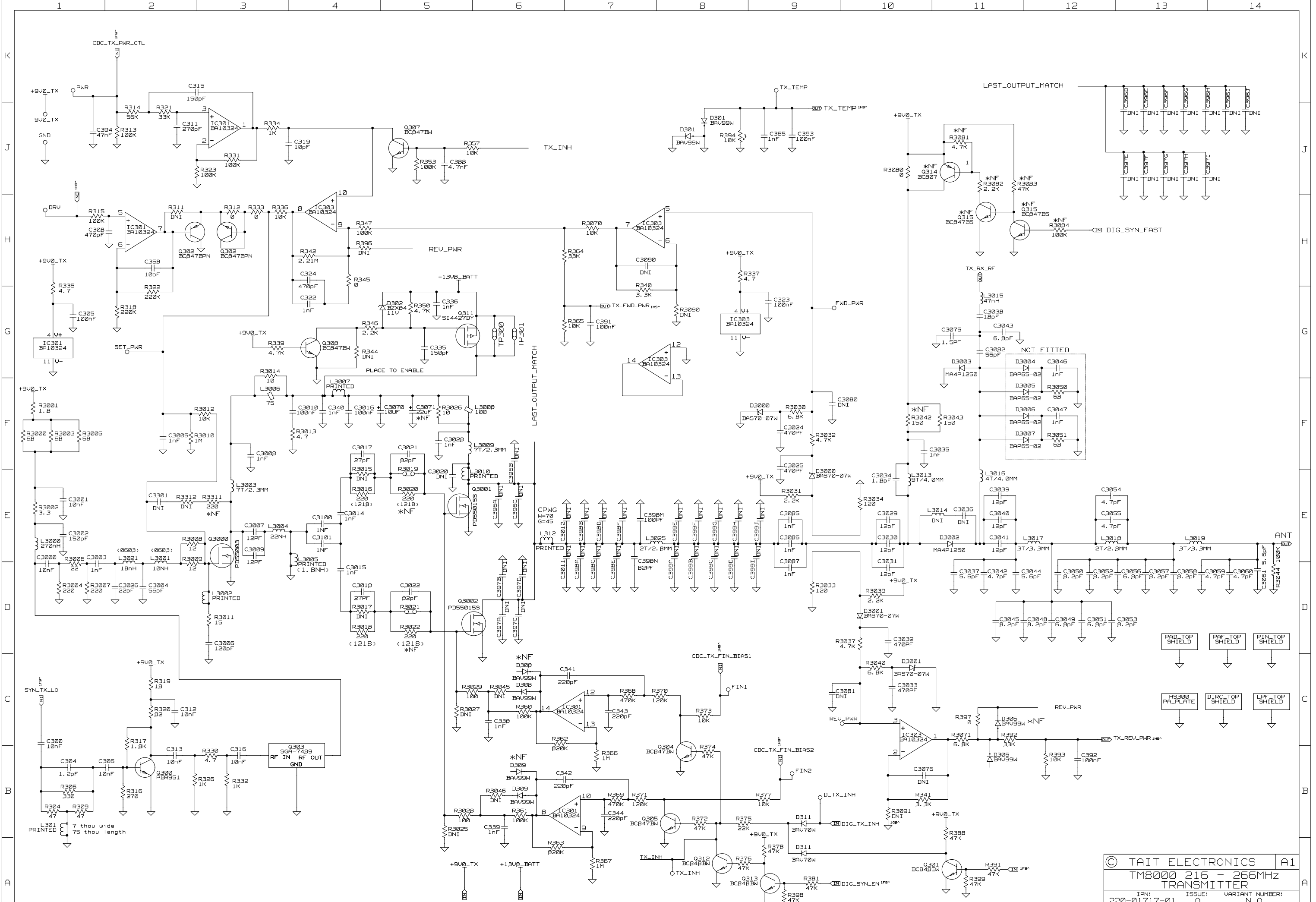
01A	IPN CHANGED FROM 226-0013B-04. + TX UPDATES	CRAIG M	CHKD	D. O.	APUD	15/01/04
REV/ISS	AMENDMENTS	DRAWN	CHKD	D. O.	APUD	DATE
1						

TOPBAD BADMARK BOTBAD BADMARK TOPFID1 FIDUCIAL TOPFID2 FIDUCIAL BOTFID1 FIDUCIAL BOTFID2 FIDUCIAL



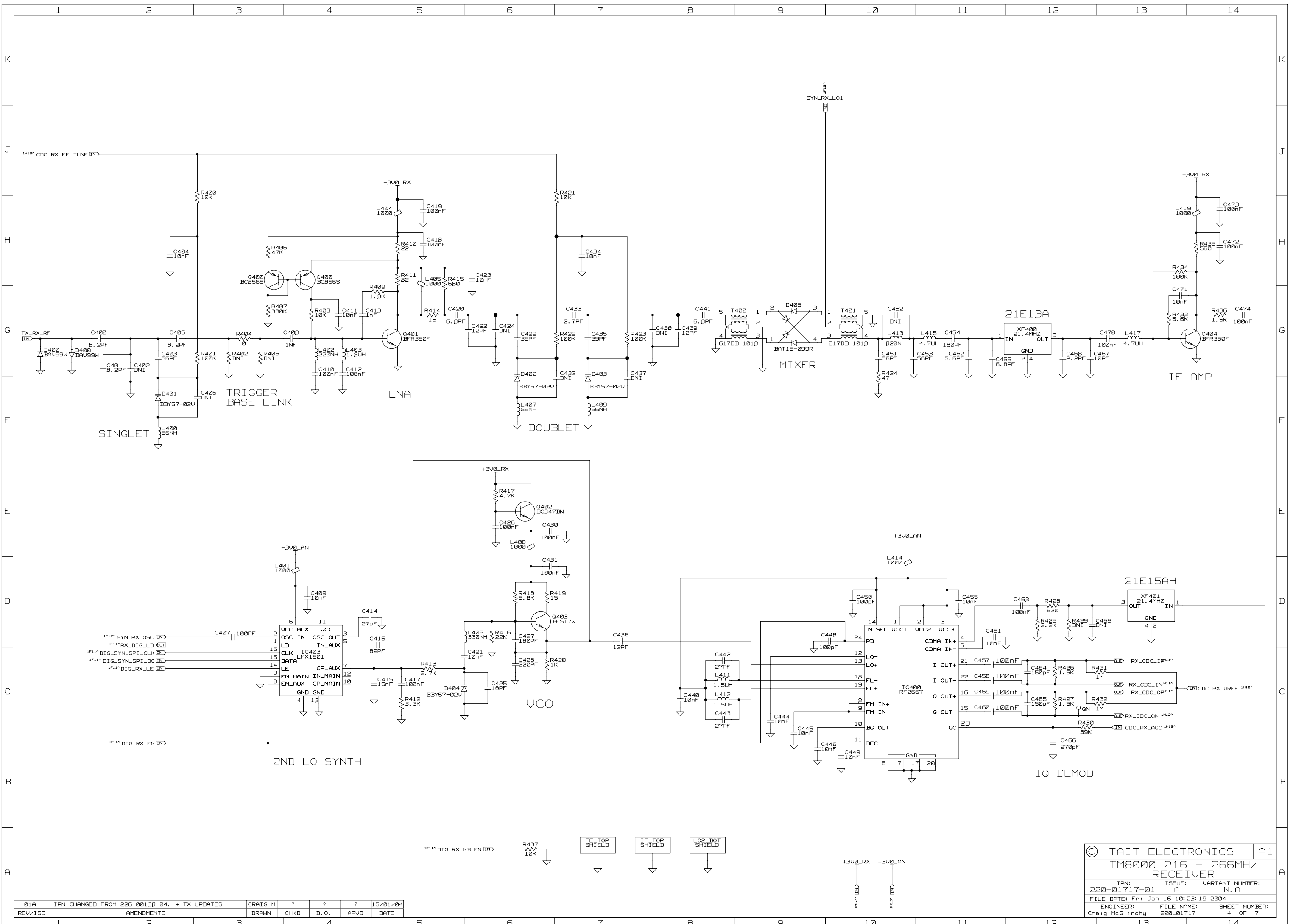
© TAIT ELECTRONICS		A1
TM8000 216 - 266MHZ CODEC		
IPN: 220-01717-01	ISSUE: A	VARIANT NUMBER: N.A
FILE DATE: Fri Jan 16 09:59:43 2004		
ENGINEER: Craig McGlinchy	FILE NAME: 220_01717	SHEET NUMBER: 2 OF 7

01A	IPN CHANGED FROM 226-00138-04. + TX UPDATES	CRAIG M	?	?	?	15/01/04
REV/ISS	AMENDMENTS	DRAWN	CHKD	D. O.	APUD	DATE



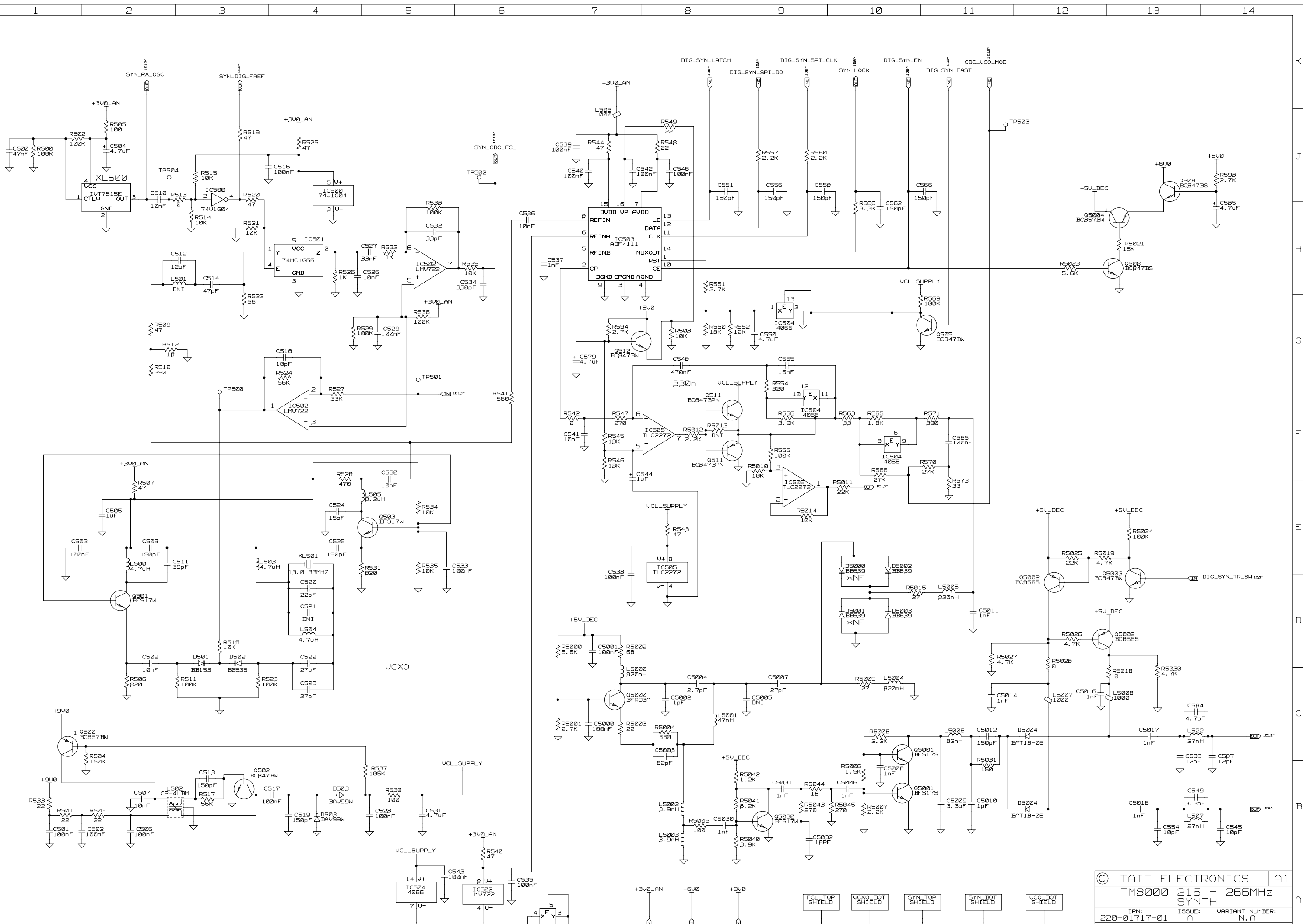
© TAIT ELECTRONICS		A1
TM8000 216 - 266MHZ TRANSMITTER		
IPN: 220-01717-01	ISSUE: A	VARIANT NUMBER: N.A
FILE DATE: Fri Jan 16 10:00:01 2004		
ENGINEER: Craig McGlinchy	FILE NAME: 220_01717	SHEET NUMBER: 3 OF 7

01A	IPN CHANGED FROM 226-0013B-04. + TX UPDATES	CRAIG M	?	?	?	15/01/04
REV/ISS	AMENDMENTS	DRAWN	CHKD	D.O.	APUD	DATE



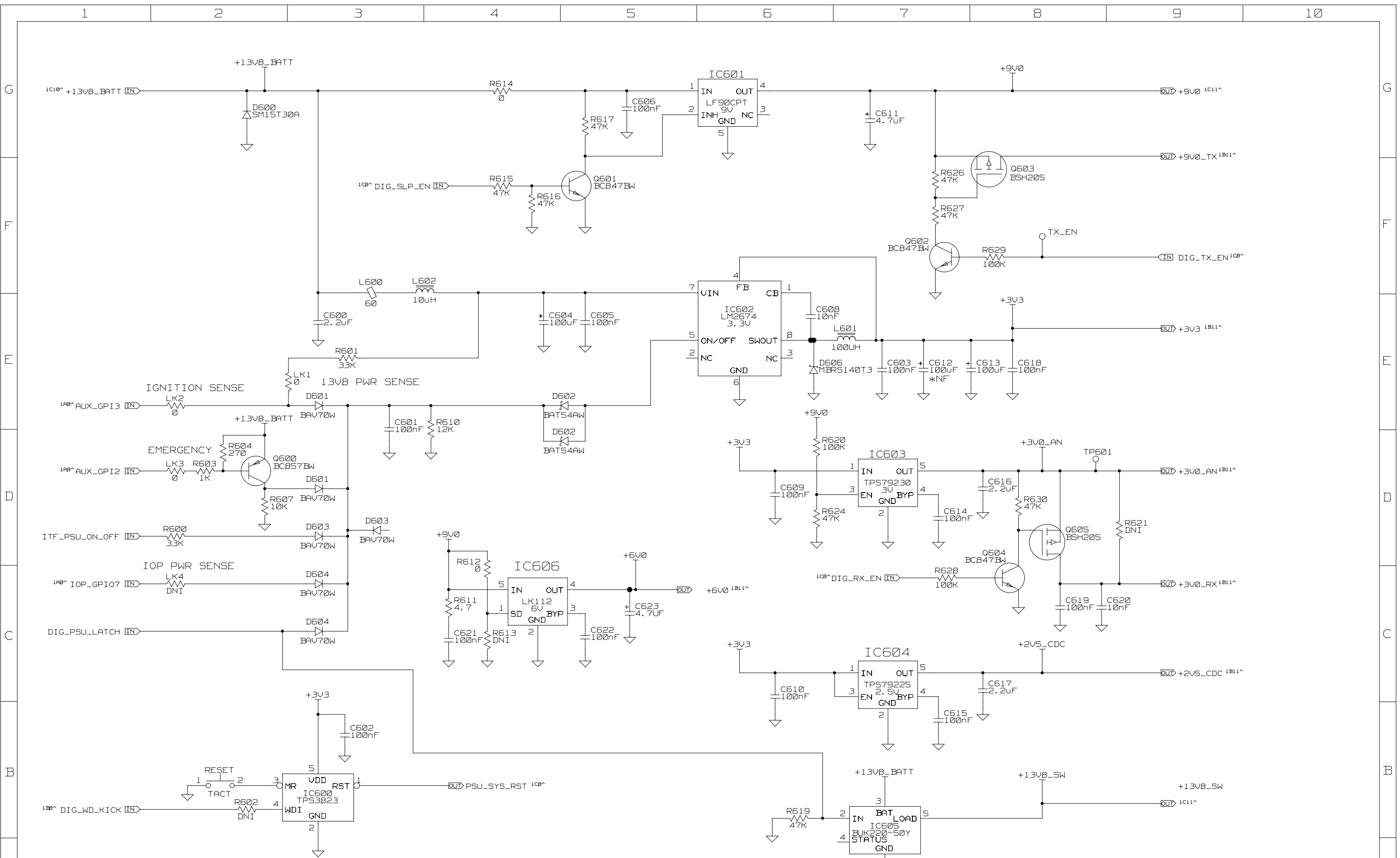
01A	IPN CHANGED FROM 226-0013B-04. + TX UPDATES	CRAIG M	?	?	?	15/01/04
REV/ISS	AMENDMENTS	DRAWN	CHKD	D. O.	APUD	DATE
1						
2						
3						
4						
5						
6						
7						
8						
9						
10						
11						
12						
13						
14						

© TAIT ELECTRONICS A1  
 TM8000 216 - 266MHZ  
 RECEIVER  
 IPN: 220-01717-01 ISSUE: A VARIANT NUMBER: N.A  
 FILE DATE: Fri Jan 15 10:23:19 2004  
 ENGINEER: Craig McGlinchy FILE NAME: 220\_01717 SHEET NUMBER: 4 OF 7



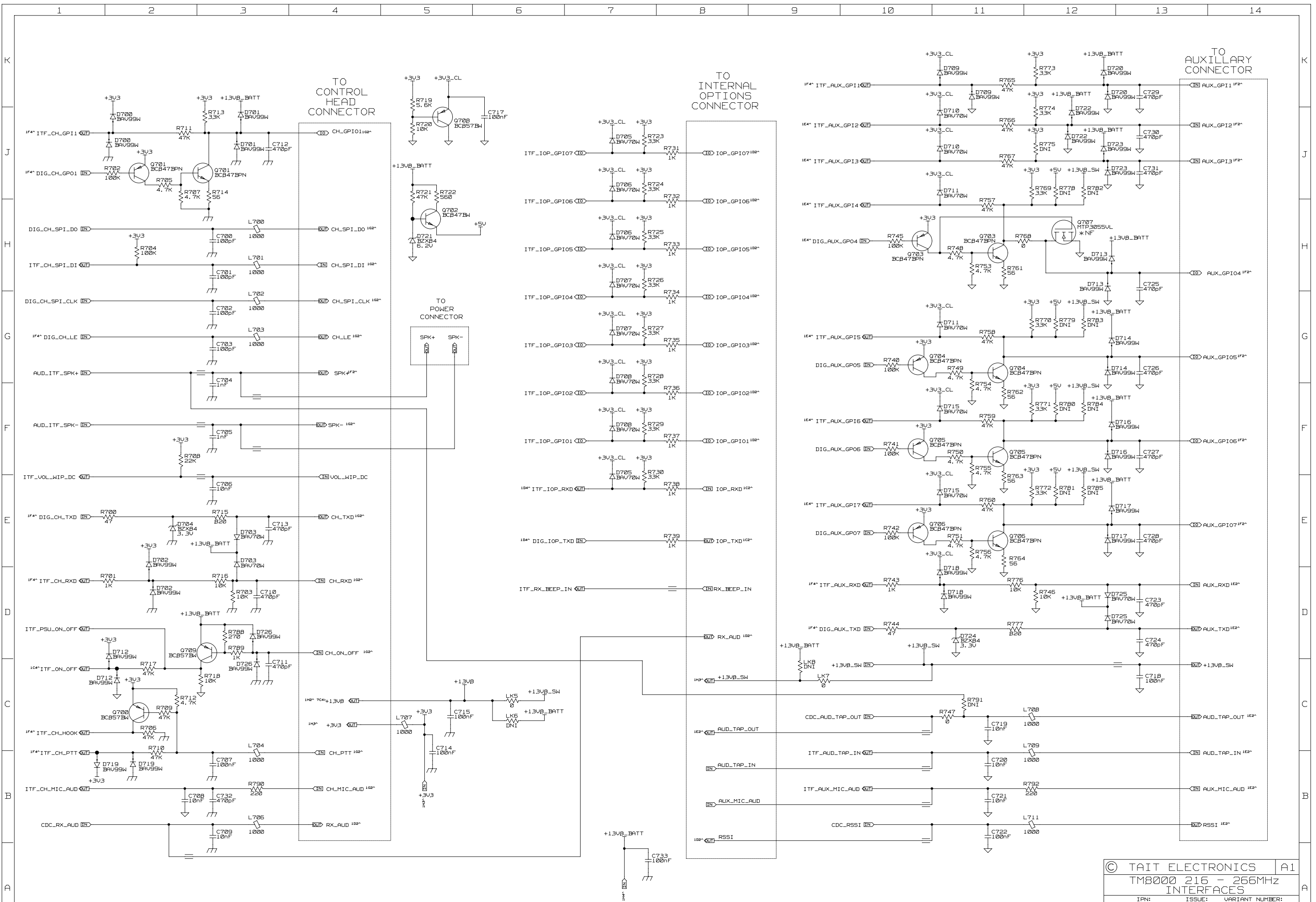
© TAIT ELECTRONICS		A1
TM8000 216 - 266MHZ SYNTH		
IPN: 220-01717-01	ISSUE: A	VARIANT NUMBER: N.A
FILE DATE: Fri Jan 16 10:24:56 2004		
ENGINEER: Craig McGlinchy	FILE NAME: 220_01717	SHEET NUMBER: 5 OF 7

01A	IPN CHANGED FROM 226-0013B-04. + TX UPDATES	CRAIG M	?	?	?	15/01/04
REV/ISS	AMENDMENTS	DRAWN	CHKD	D. O.	APUD	DATE



© TAIT ELECTRONICS		A2
TM8000 216 - 266MHz POWER SUPPLY		
IPN: 220-01717-01	ISSUE: A	VARIANT NUMBER: N.A
FILE DATE: Fri Jan 16 10:24:59 2004		
ENGINEER: Craig McGlinchy	FILE NAME: 220_01717	SHEET NUMBER: 6 OF 7

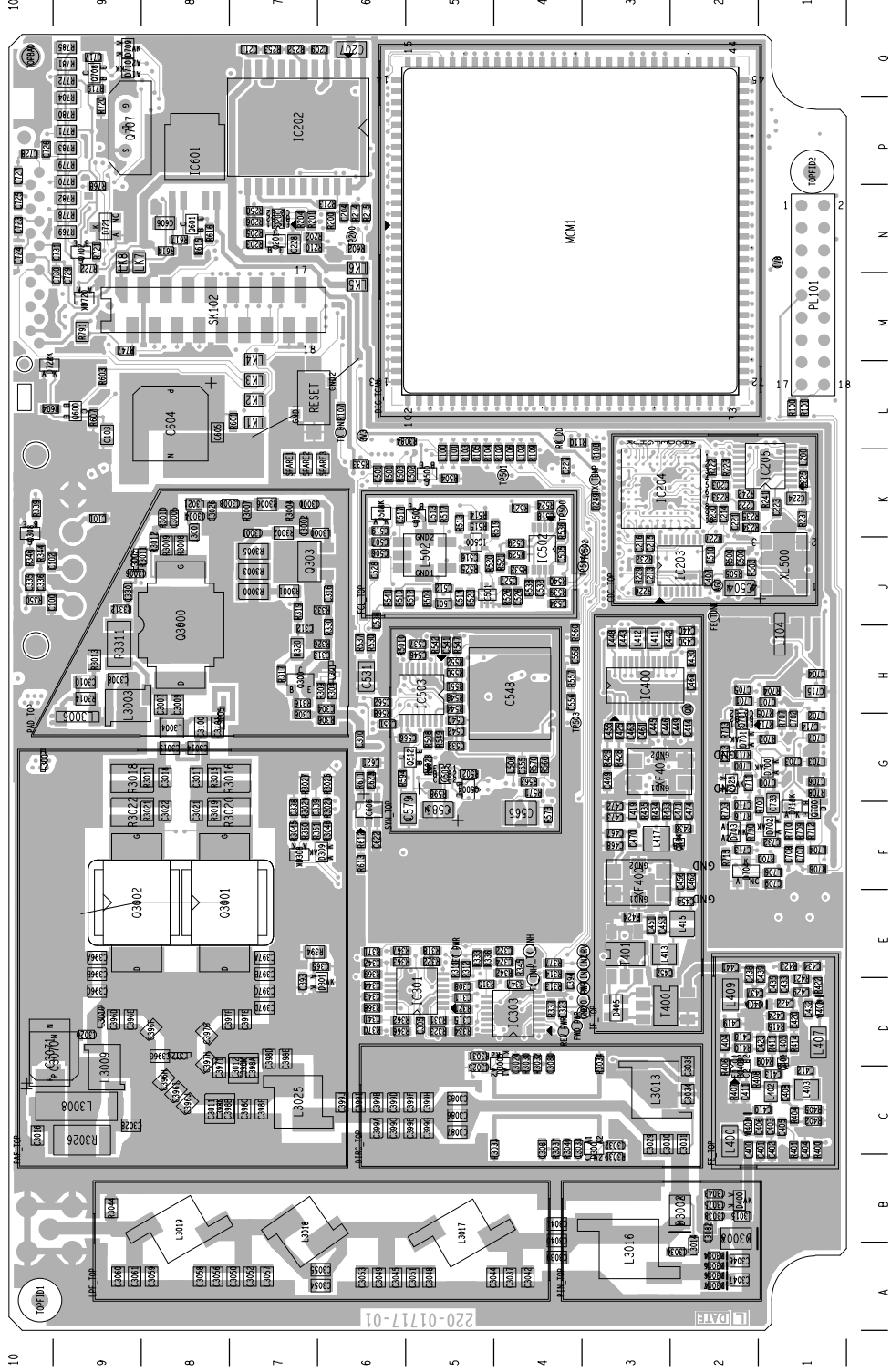
01A	IPN CHANGED FROM 225-00138-04. + TX UPDATES	CRAIG M	?	?	?	15/01/04
REV/ISS	AMENDMENTS	DRAWN	CHKD	D. O.	APVD	DATE



© TAIT ELECTRONICS A1  
 TM8000 216 - 266MHZ  
 INTERFACES  
 IPN: 220-01717-01 ISSUE: A VARIANT NUMBER: N.A  
 FILE DATE: Fri Jan 16 10:09:20 2004 ENGINEER: Craig McGlinchy FILE NAME: 220\_01717 SHEET NUMBER: 7 OF 7

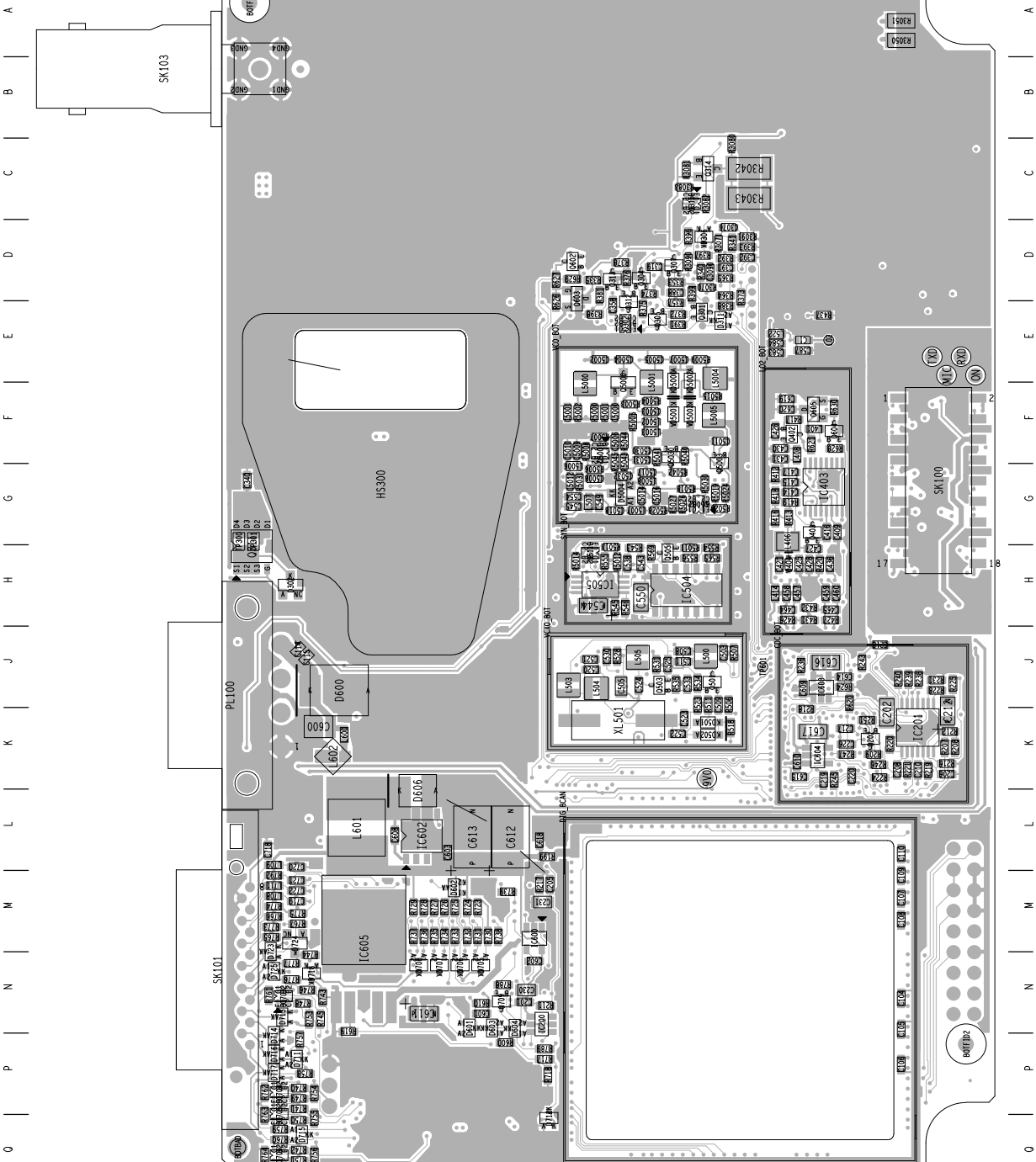
01A	IPN CHANGED FROM 226-0013B-04. + TX UPDATES	CRAIG M	?	?	?	15/01/04
REV/ISS	AMENDMENTS	DRAWN	CHKD	D. O.	APUD	DATE

A | B | C | D | E | F | G | H | J | K | L | M | N | P | O



TAIT ELECTRONICS IPN: 220-01717-01 ISS: DATE: SCALE: 15Jan04 NTS  
TM8000 216 - 266 MHZ 220-01717-01a LAYOUT-PRIMARY-SIDE





TAIT ELECTRONICS IPN: 220-01717-01 A ISS: DATE: SCALE: 15Jan04 NTS  
 TM8000 216 - 266 MHz 220-01717-01a LAYOUT - SECONDARY - SIDE